

# *Skovbo Straw machine 90x120*



*The Straw machine  
Requires little space  
but has a broad  
application*



*The straw machine  
turns the  
daily work  
into a game!*



# Skovbo Straw machine 90x120

## Examples use the following locations

- in cowshed
- in calving box
- in outdoor cabins
- in bed bays

## Technical specifications :

Model:	HS HBK	HS HBL
Length :	159 cm	278 cm
Wide:	165 cm	165 cm
Height:	175 cm	175 cm
Weight :	685 kg	830 kg

Oil engine, standard Danfoss oms 160

The machine is Self loading

Deliver with a draft in the top or bottom

## Minimum force required :

HP:	App. 27 HP
Oil Quantity:	App. 45 Liter
Oil pressure:	App. 200 bar
Return oil pressure :	Max 30 bar

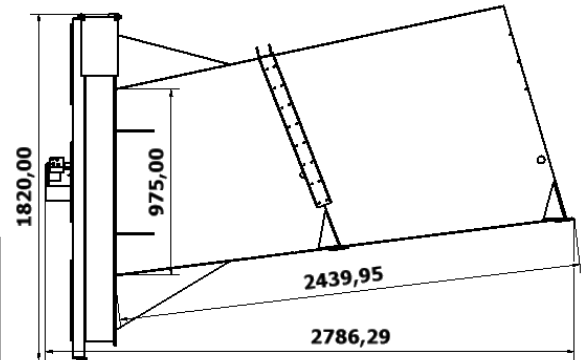
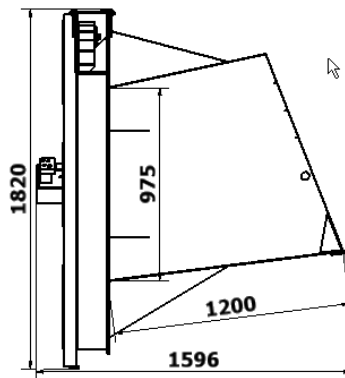
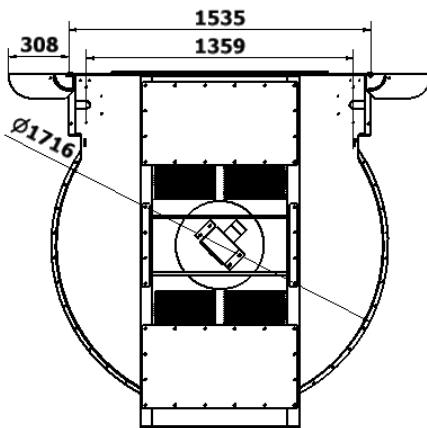
## Mounting options:

Schäffer, Quappen, Giant

Mini loader

Front loader

Three-point linkage with A frame



## Manufacturer :

JBT Maskinværksted  
 v/ Jens Therkildsen  
 Skanderborgvej 49  
 7171 Uldum  
 TLF. +4540507346/+4540301156  
 jbtm@jbtm.dk  
 www.jbtm@jbtm.dk

## Importer

## Dealer:

